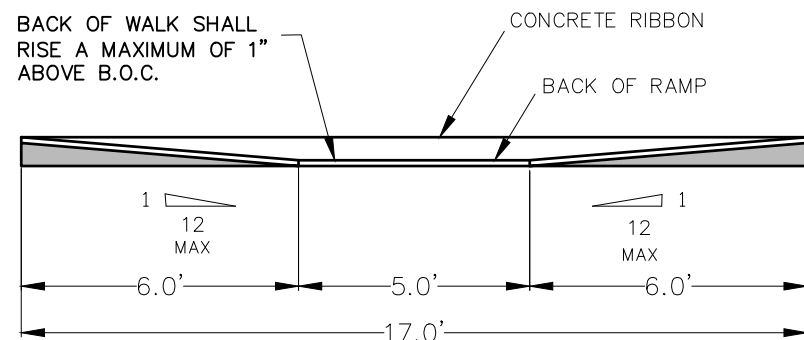
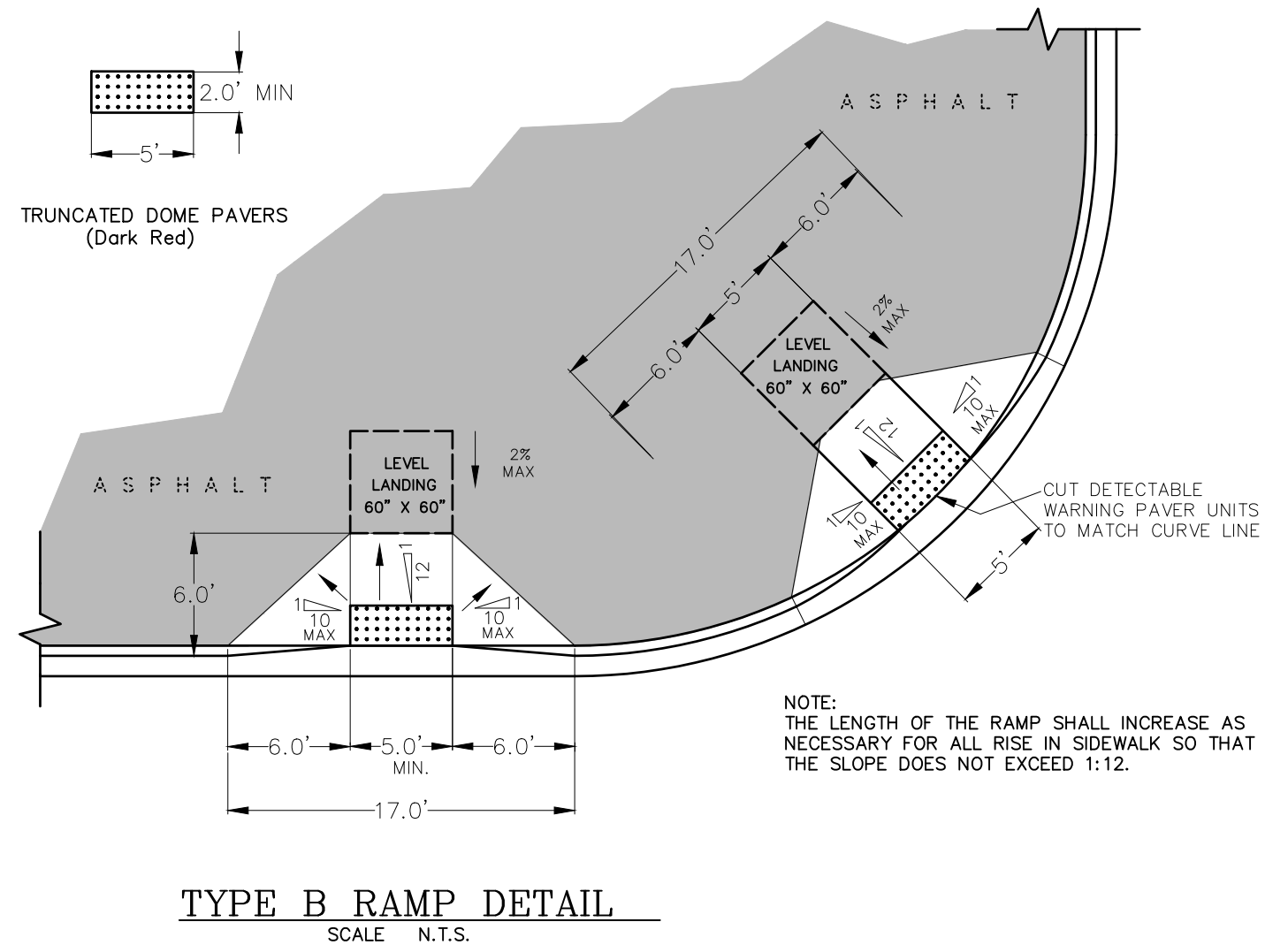
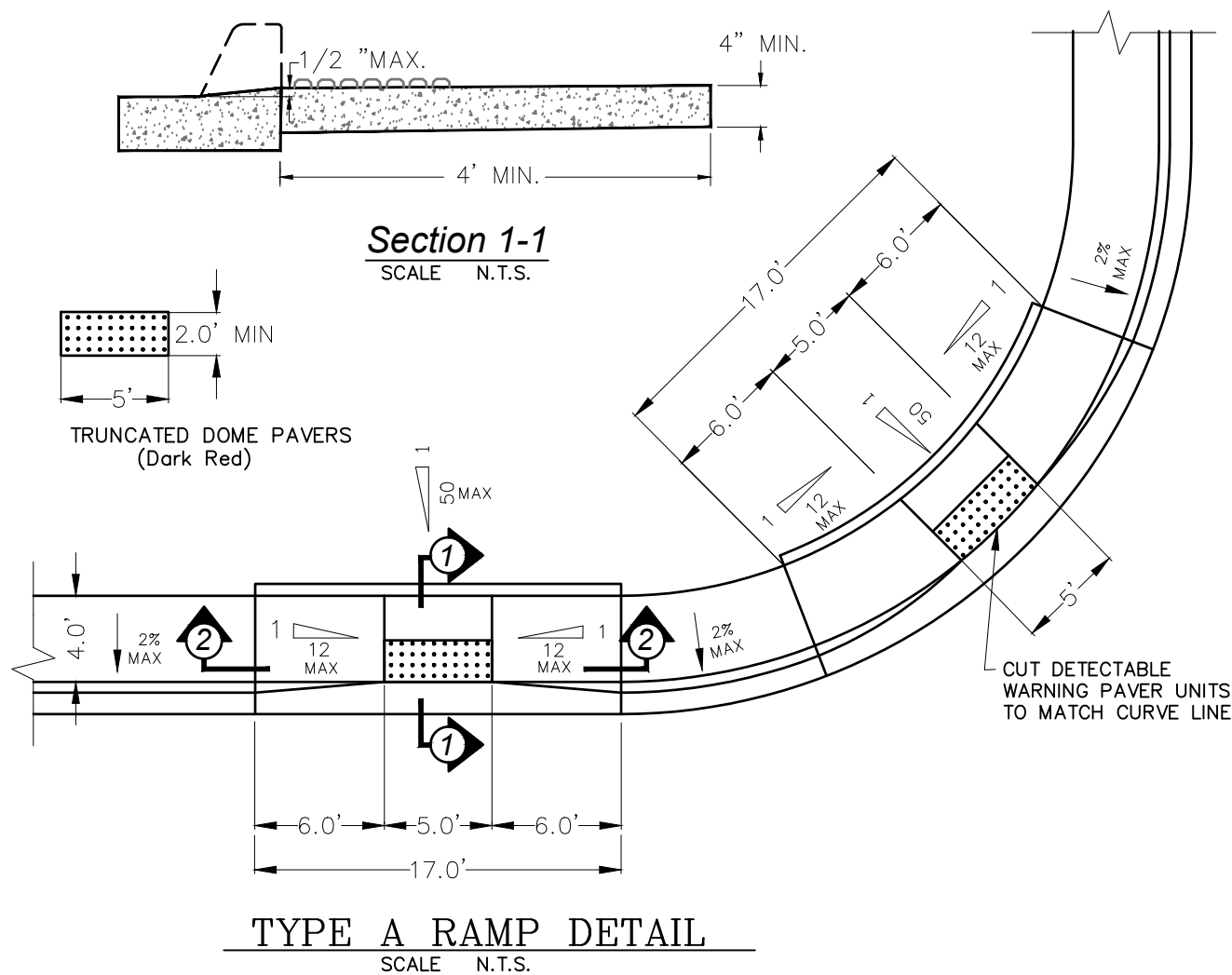


## ADA RAMP STANDARDS



### DETECTABLE WARNING MATERIAL

CURB RAMPS MUST CONTAIN A DETECTABLE WARNING SURFACE THAT CONSISTS OF RAISED TRUNCATED DOMES COMPLYING WITH SECTION 705 OF THE T.A.S. FURNISH AND INSTALL AN APPROVED DARK BROWN OR DARK RED DETECTABLE WARNING SURFACE MATERIAL ADJACENT TO UNCOLORED CONCRETE, UNLESS SPECIFIED ELSEWHERE IN THE PLANS.

DETECTABLE WARNING SURFACES MUST BE SLIP RESISTANT AND NOT ALLOW WATER TO ACCUMULATE.

DETECTABLE WARNING SURFACES SHALL BE A MINIMUM OF 24" IN DEPTH IN THE DIRECTION OF PEDESTRIAN TRAVEL, AND EXTEND THE FULL WIDTH OF THE CURB RAMP OR LANDING WHERE THE PEDESTRIAN ACCESS ROUTE ENTERS THE STREET.

DETECTABLE WARNING SURFACES SHALL BE LOCATED SO THAT THE EDGE NEAREST THE CURB LINE IS AT THE BACK OF CURB. ALIGN THE ROWS OF DOMES TO BE PERPENDICULAR TO THE GRADE BREAK BETWEEN THE RAMP RUN AND THE STREET. DETECTABLE WARNING SURFACES MAY BE CURVED ALONG THE CORNER RADIUS.

LAY FULL-SIZE UNITS FIRST FOLLOWED BY CLOSURE UNITS CONSISTING OF AT LEAST 25 PERCENT OF A FULL UNIT. CUT DETECTABLE WARNING PAVER UNITS USING A POWER SAW.