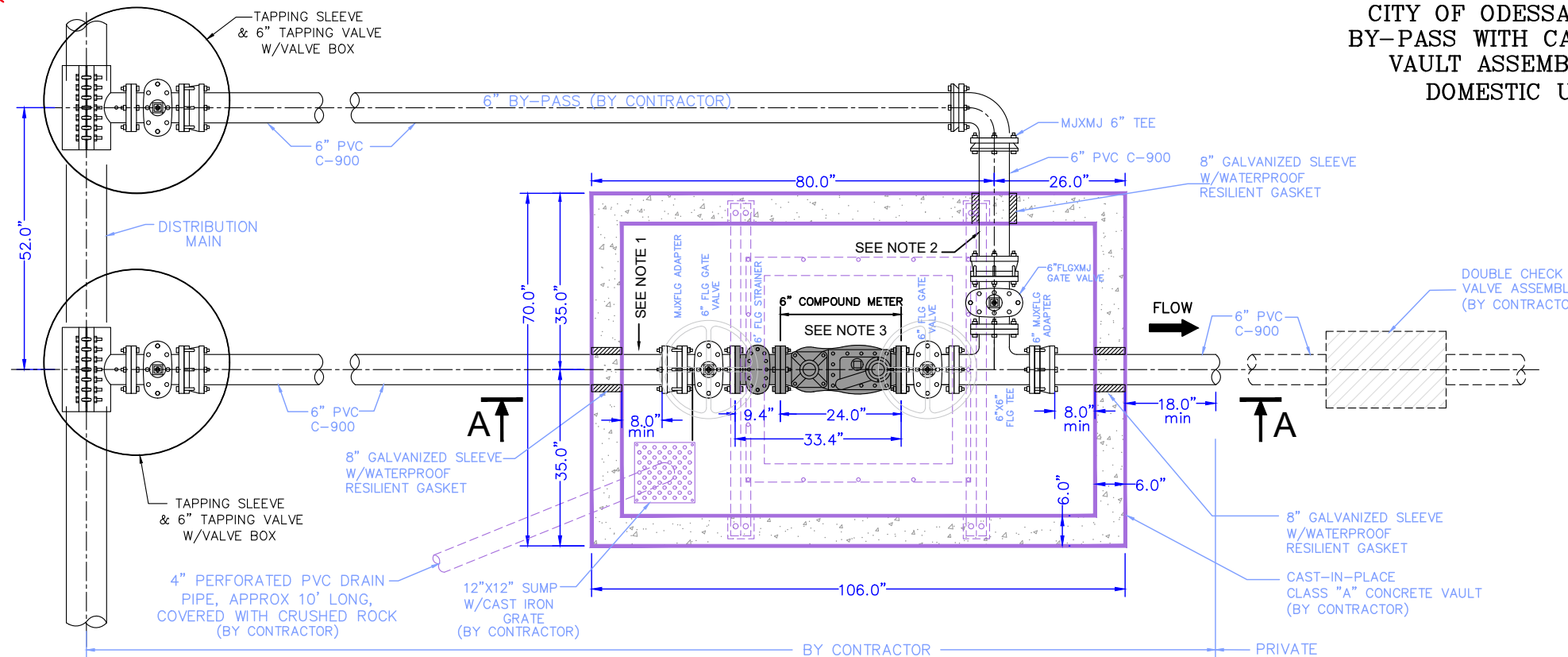
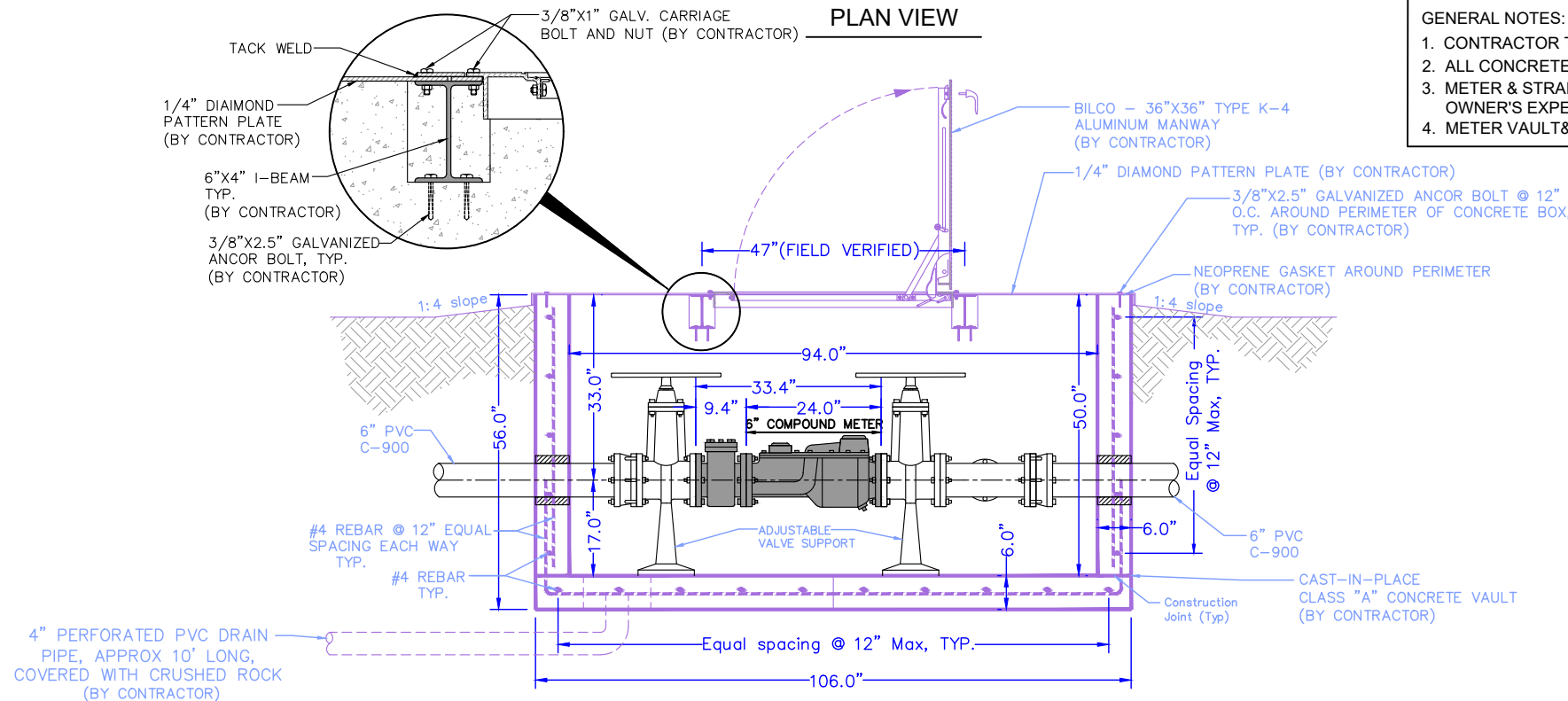


CITY OF ODESSA 6" METER AND 6" BY-PASS WITH CAST-IN-PLACE CONCRETE VAULT ASSEMBLY FOR FIRE FLOW & DOMESTIC USE (NON TRAFFIC)



PLAN VIEW

- GENERAL NOTES:
1. CONTRACTOR TO STUB-IN MINIMUM OF 18" OF 6" PVC C 900
 2. ALL CONCRETE TO BE 3600 psi.
 3. METER & STRAINER ASSEMBLY TO BE SUPPLIED AND INSTALLED BY THE CITY AT OWNER'S EXPENSE
 4. METER VAULT & PIPING TO BE INSTALLED BY APPROVED UTILITY CONTRACTOR



SECTION A-A
 REINFORCEMENT AND COVER