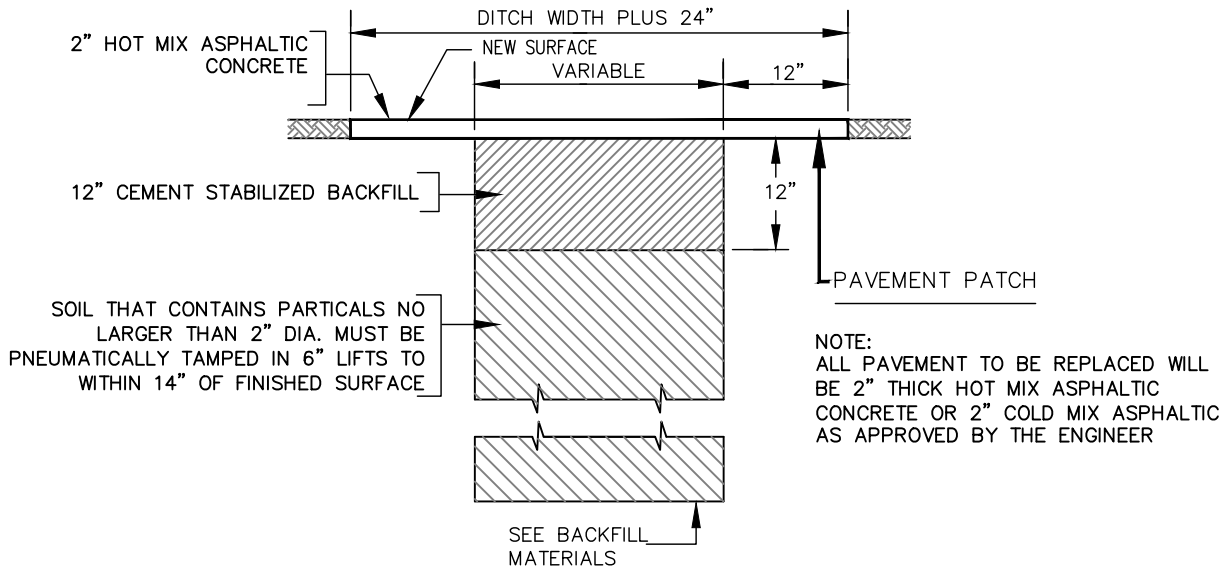


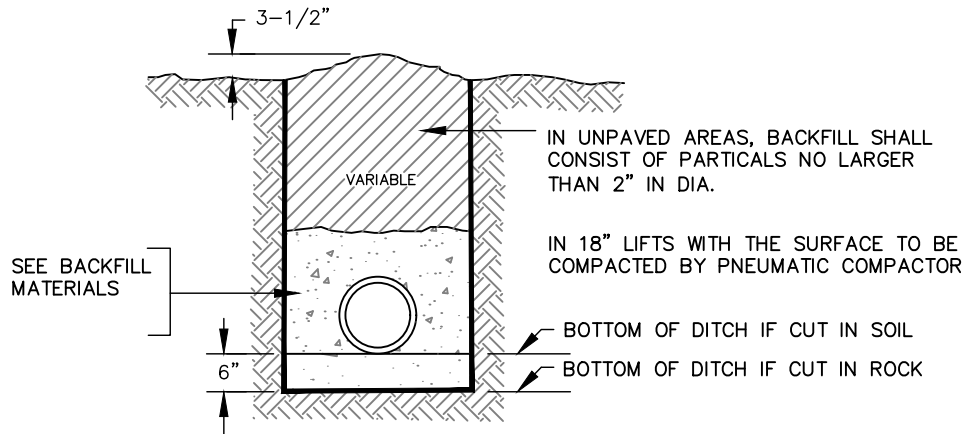
BACKFILL & TRENCH REQUIREMENTS

SCALE: N T S

EXISTING PAVEMENT & BASE SHALL BE CUT SQUARE & VERTICAL ALONG STRAIGHT LINES AHEAD OF THE EXCAVATION



IN ALL AREAS REFERENCE
 STANDARD SPEC. ITEM 100



IN ALL AREAS REFERENCE
 STANDARD SPEC. ITEM 100

DRAWN BY: MS
 DATE: Oct.19 2011
 SCALE: N.T.S.
 Rev. May 3, 2021