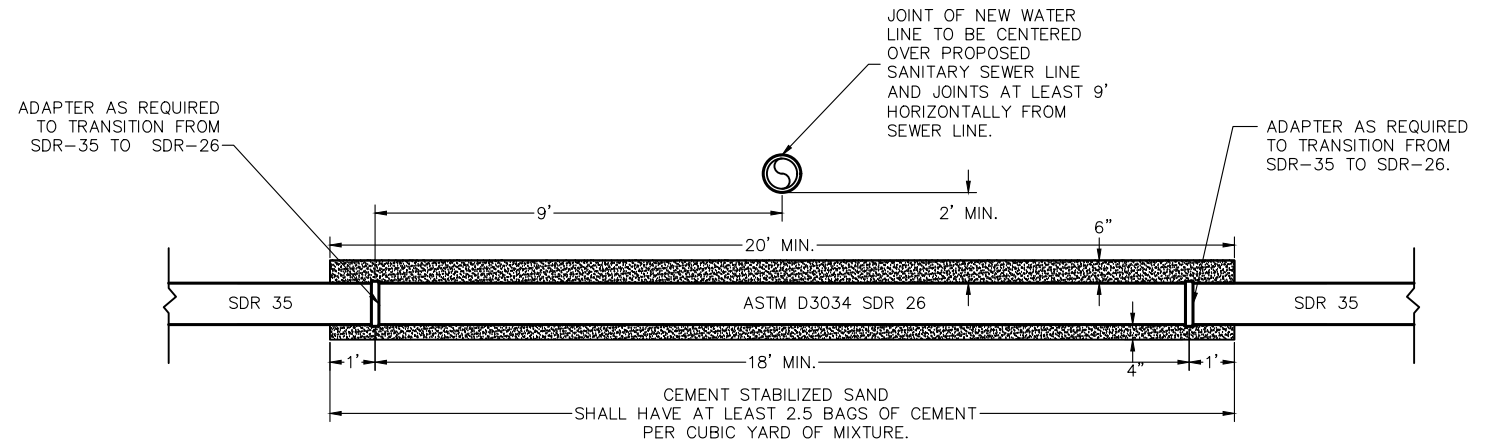
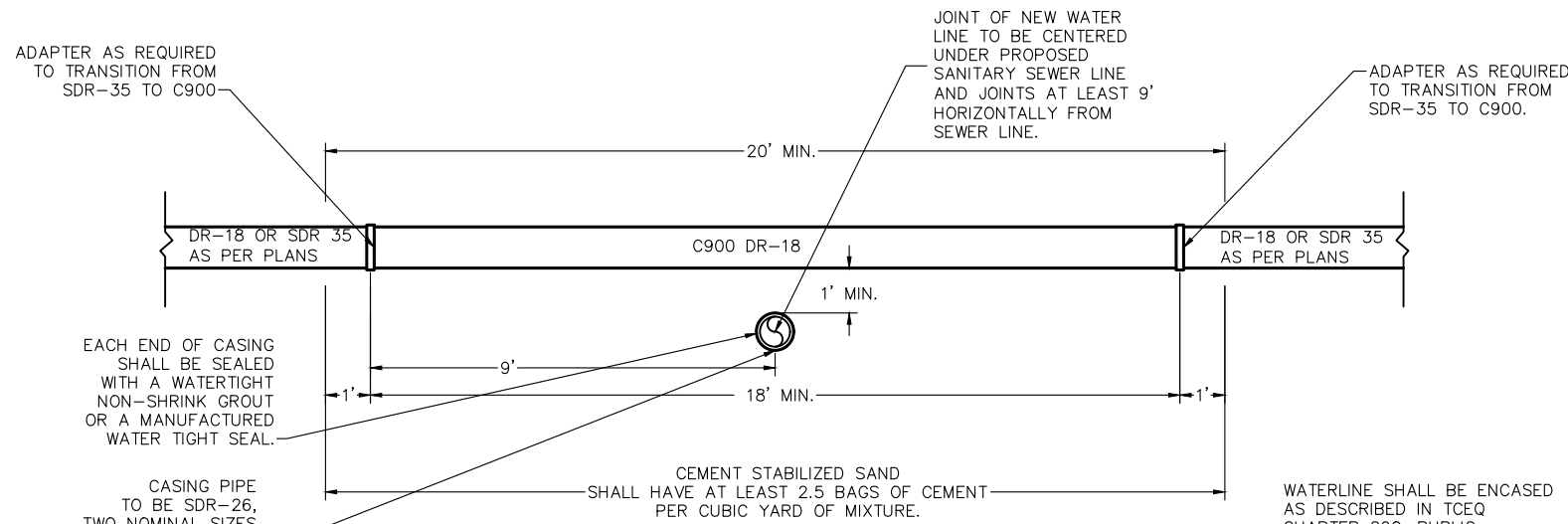


CROSSING #1
TYPICAL INSTALLATION OF NEW WATER LINE OVER
NEW SANITARY SEWER LINE IN
ACCORDANCE WITH TCEQ REQUIREMENTS
 NOT TO SCALE



NOTE:
 USE THIS INSTALLATION WHEN MIN. 2.0' VERTICAL
 SEPARATION BETWEEN WATER AND SEWER IS POSSIBLE.

CROSSING #2
TYPICAL INSTALLATION OF NEW WATER LINE OVER NEW
NON-PRESSURE RATED SANITARY SEWER LINE IN ACCORDANCE
WITH TCEQ REQUIREMENTS
 NOT TO SCALE



NOTE:
 USE THIS INSTALLATION WHEN WATER CROSSES UNDER
 A WASTEWATER MAIN OR LATERAL. BOTH WATER AND
 WASTEWATER MUST PASS A PRESSURE AND LEAKAGE
 TEST AS SPECIFIED IN AWWA C600 STANDARDS.

WATERLINE SHALL BE ENCASED
 AS DESCRIBED IN TCEQ
 CHAPTER 290, PUBLIC
 DRINKING WATER, SECTION
 290.44e.(4)(B)(iv)(II) OR
 CONSTRUCTED OF DUCTILE
 IRON OR STEEL PIPE WITH
 MECHANICAL OR WELDED
 JOINTS AS APPROPRIATE.

CROSSING #3
TYPICAL INSTALLATION OF NEW WATER LINE UNDER
SANITARY SEWER LINE IN ACCORDANCE WITH TCEQ
REQUIREMENTS
 NOT TO SCALE