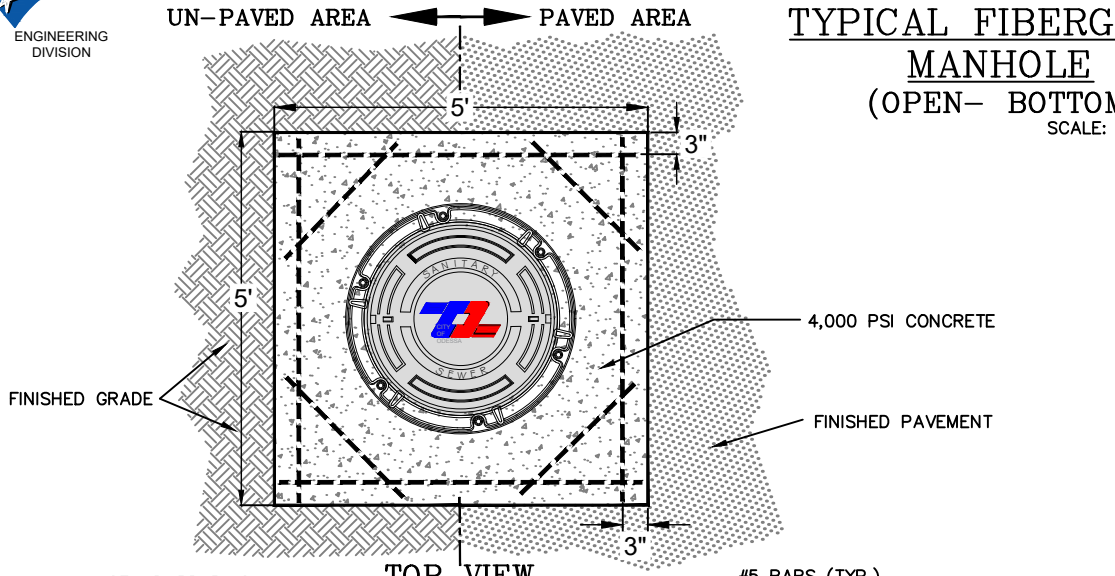
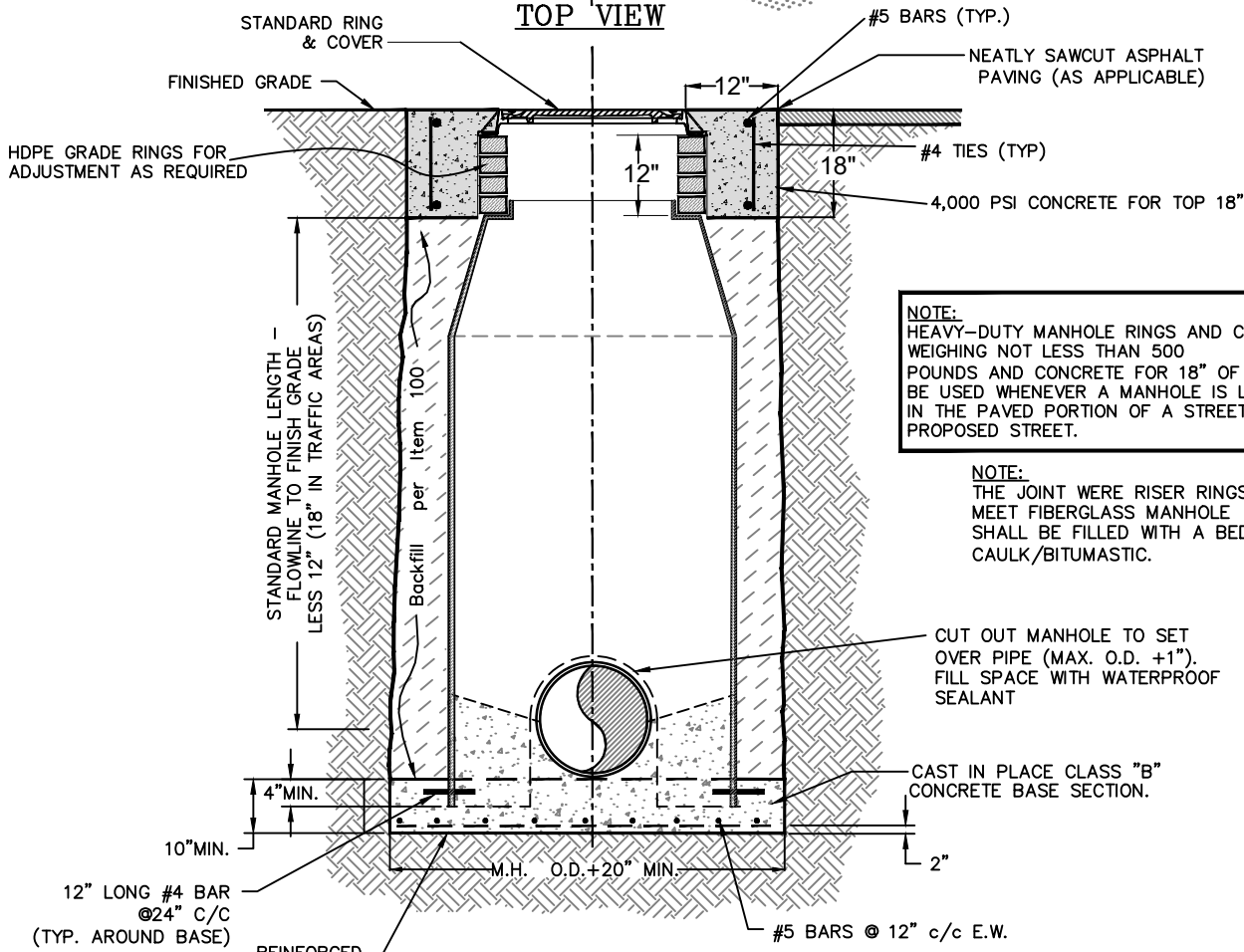


**TYPICAL FIBERGLASS
 MANHOLE
 (OPEN- BOTTOM)**
 SCALE: N T S



TOP VIEW



CROSS SECTION

NOTE:
 HEAVY-DUTY MANHOLE RINGS AND COVER WEIGHING NOT LESS THAN 500 POUNDS AND CONCRETE FOR 18" OF TOP SHALL BE USED WHENEVER A MANHOLE IS LOCATED IN THE PAVED PORTION OF A STREET OR PROPOSED STREET.

NOTE:
 THE JOINT WHERE RISER RINGS MEET FIBERGLASS MANHOLE SHALL BE FILLED WITH A BED OF CAULK/BITUMASTIC.

CUT OUT MANHOLE TO SET OVER PIPE (MAX. O.D. +1"). FILL SPACE WITH WATERPROOF SEALANT

CAST IN PLACE CLASS "B" CONCRETE BASE SECTION.

GENERAL NOTES:

1. CONCRETE BASE TO BE POURED IN PLACE IN TRENCH.
2. MANHOLE CUT-OUT MUST BE MADE AT TIME OF INSTALLATION
3. MANHOLE TO BE INSTALLED BY INSERTING INTO WET CONCRETE BASE.
4. FOR CONNECTIONS OF PVC THROUGH MH WALL, PROVIDE SEALANT BETWEEN PIPE AND MANHOLE. STAUFFER CHEMICAL SW940RTV SILICONE SEALANT, OR APPROVED EQUAL.
5. THE SOIL UNDER THE 6" MINIMUM CONCRETE SLAB SHALL BE UNDISTURBED.
6. MANHOLE SHALL WITHSTAND H-20 LOADING.

DRAWN BY: LA
 DATE: Nov.30,2016
 SCALE: N T S