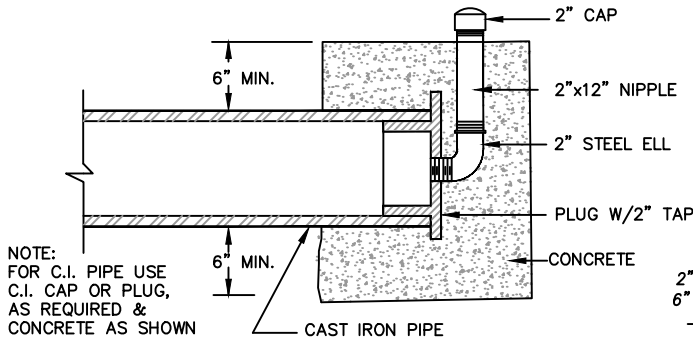
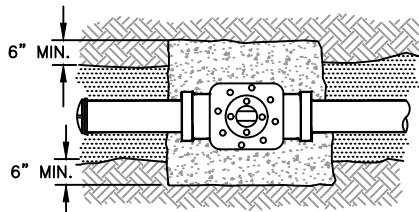


WATER DETAILS



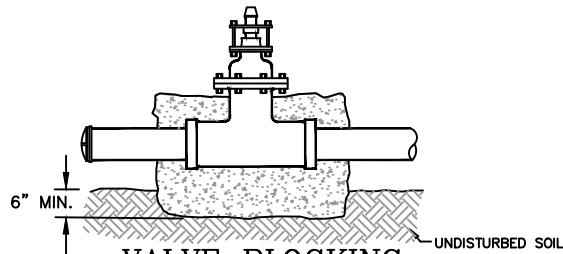
DEAD END DETAIL

SCALE: N T S



VALVE BLOCKING

SCALE: N T S

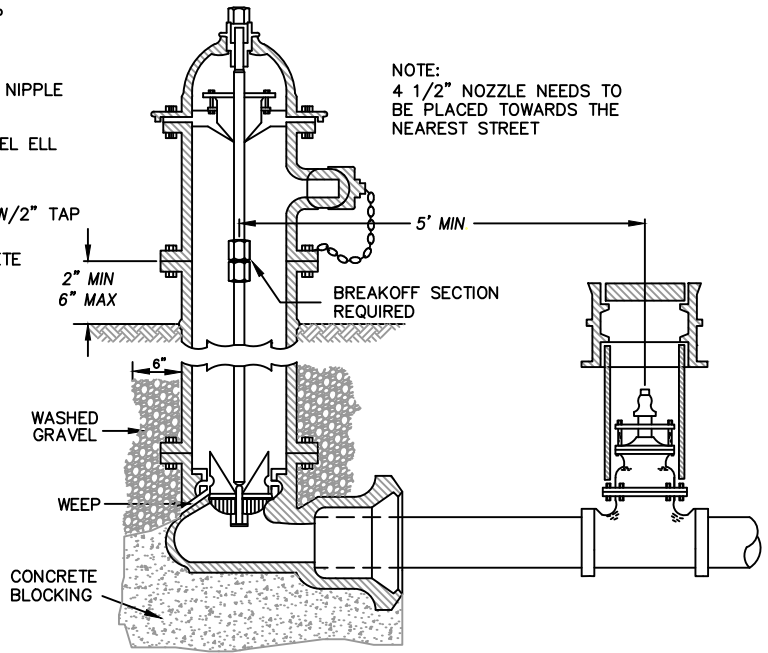


VALVE BLOCKING

SCALE: N T S

GENERAL NOTES:

- ALL CONCRETE, EXCEPT VALVE BOX, SHALL BE CLASS "B" CONFORMING TO ITEM 400
- ALL WATER FITTINGS SHALL BE A.W.W.A. STANDARD CLASS "D" UNLESS OTHERWISE SPECIFIED
- ALL WATER PIPE SHALL BE CLASS 21 UNLESS OTHERWISE SHOWN
- ALL WATER PIPE ABOVE 2" SHALL BE BLOCKED TO RESIST THRUST AT ALL CHANGES IN DIRECTION IN ACCORDANCE WITH DETAILS SHOWN
- ALL PLUGS 4" & SMALLER SHALL BE TAPPED FOR 1" & PLUGGED
- ALL PLUGS 6" & LARGER SHALL BE TAPPED FOR 2" & PLUGGED
- MINIMUM COVER ON WATER LINES SHALL BE 36" IN ALLEYS AND WITHIN 36" OF RIGHT-OF-WAY EXCEPT AT VALVES TO BE LOCATED IN PAVED STREETS OR IN ALLEYS OR STREETS TO BE PAVED WHERE THE MINIMUM COVER SHALL BE AS FOLLOWS:
- 36" COVER FOR 4" LINES, 42" MIN. COVER FOR 6" & 8" LINES
- 48" MIN. COVER FOR 10" & LARGER UNLESS OTHERWISE SPECIFIED.

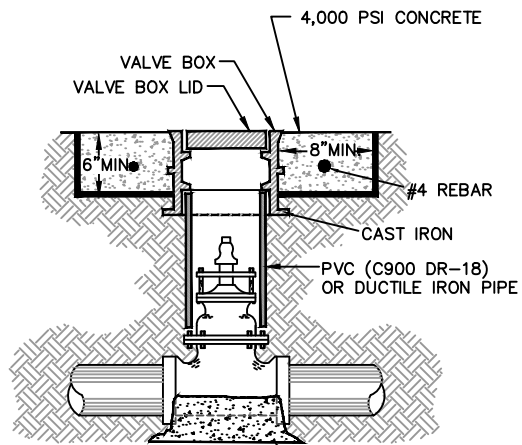


**SECTION OF TYPICAL
 FIRE HYDRANT**

SCALE: N T S

NOTE:

DEPTH OF BURY 4' UNLESS OTHERWISE SPECIFIED
 MINIMUM OD 5 CU. FT. OF WASHED GRAVEL SHALL BE PLACED
 AROUND FIRE HYDRANT AS SHOWN



TYPICAL VALVE BOX

SCALE: N T S